

# FXSOLAR Carport System

**FXSOLAR Carport System** supports an effective solar system while providing a shelter for vehicles. The optimized design maintains high structural strength and makes the installation quicker and free from cutting or welding on site. Moreover, the FXSOLAR Carport System solution will be customized to fit into the parking lot or designed according to specific requirements.



## FXSOLAR Carport System

### Technical Parameters

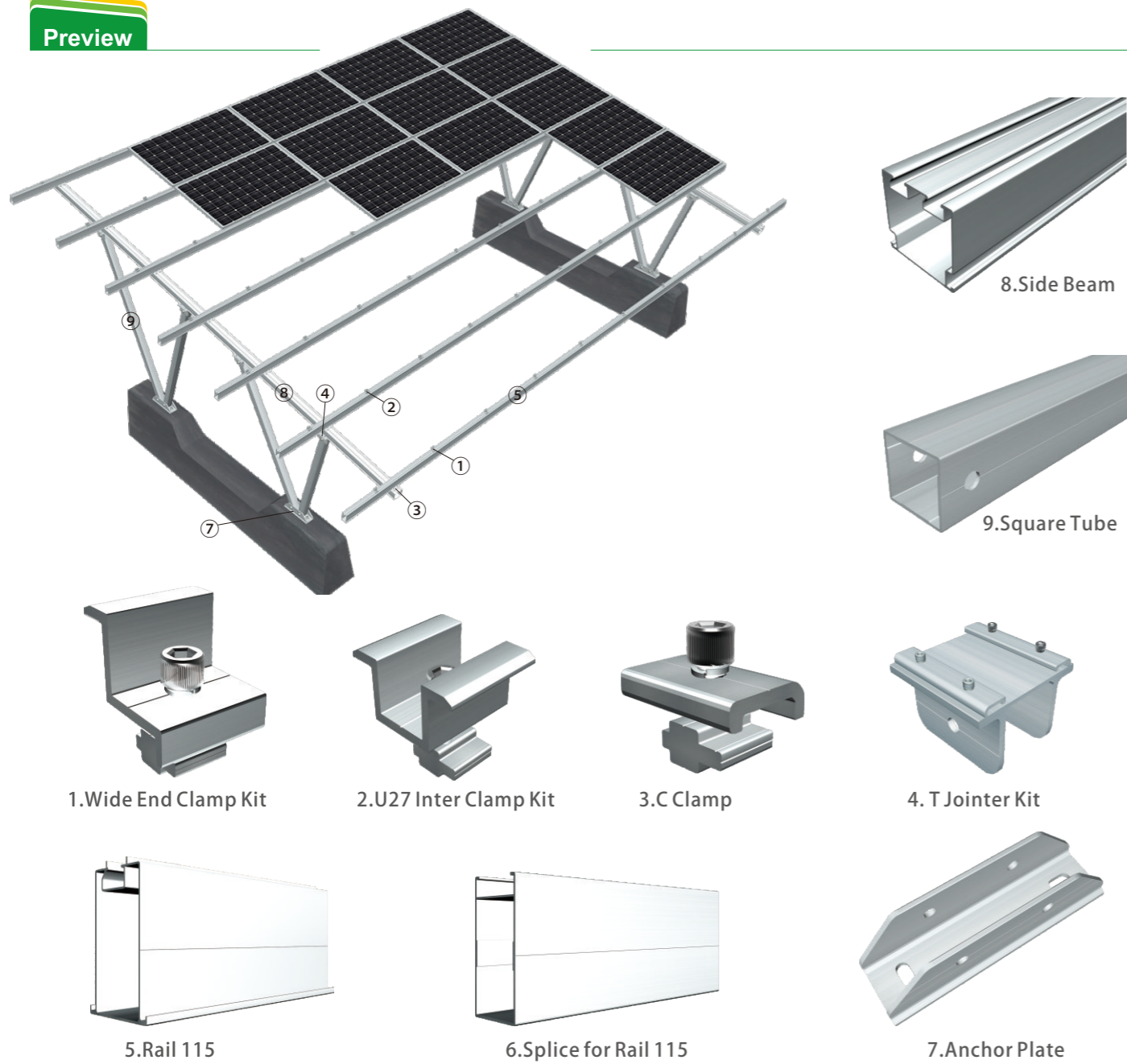
Installation Site	Open Terrain	Wind Load	60m/s
Foundation	Concrete Base	Snow Load	1.6KN/m
Tilt Angle	5-15°	Ground Clearance	1800-2500mm
Applicable Module	Frame or Frameless	Module Orientation	Portrait or Landscape
Design Standard	AS/NZS 1170, DIN 1055, JIS C 8955: 2011 International Building Code: IBC 2009 California Building Code: CBC 2010		
Material	Aluminum Al6005-T5 (Anodized)	Color	Silver or Customized
Fastener	Stainless Steel (SUS304)	Warranty	10 Years
Accessories	Aluminum Al6005-T5 (Anodized)		

### Advantages

1. Quick and easy to install;
2. Customized for various installation conditions;
3. Compatible with most module types on the market;
4. Corrosion-resistant components, strict quality control, optimized structural design.

## FXSOLAR Carport System

### Preview



### Component List

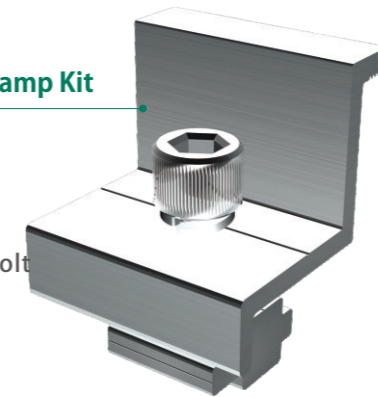
No.	Name	No.	Name	No.	Name
01	Wide End Clamp Kit	04	T Joints Kit	07	Anchor Plate
02	U27 Inter Clamp Kit	05	Rail 115/Rail 115	08	Side Beam
03	C Clamp	06	Splice for Rail 115	09	Square Tube

## FXSOLAR Carport System

### Component Details

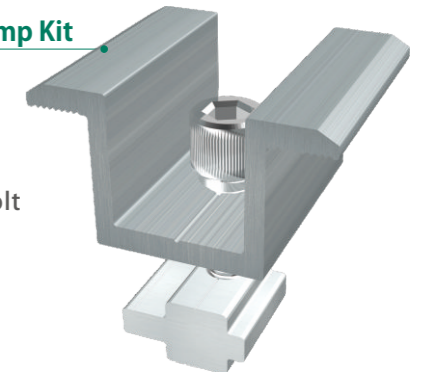
#### FX-BEC-ST Wide End Clamp Kit

Wide End Clamp  
Cross Module  
Spring Washer M8.4  
Hexagon Socket Head Bolt



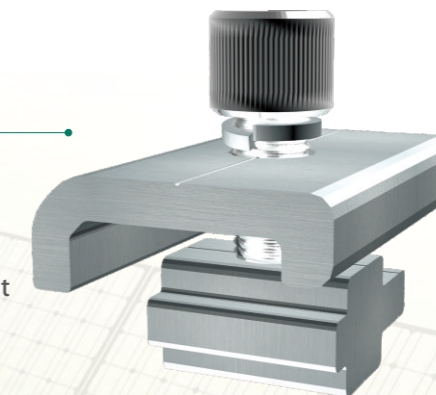
#### FX-IC-U27 U27 Inter Clamp Kit

U27 Inter Clamp  
Cross Module  
Spring Washer M8.4  
Hexagon Socket Head Bolt



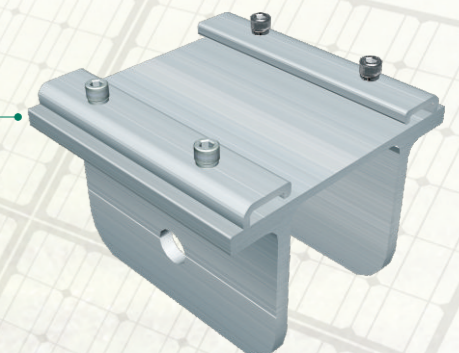
#### FX-CC-T C Clamp Kit

C Clamp  
Cross Module  
Spring Washer M8.4  
Hexagon Socket Head Bolt



#### FX-CP-TJ T Joints Kit

T Joints for Carport  
C C Clamp L150  
Washer M8  
Spring Washer M8.4  
Hexagon Socket Head Bolt



## FXSOLAR Carport System

### Component Details

#### FX-R-115 Rail 115

Specification: L\*71\*115  
Standard Length:  
3100, 4100, 5100mm



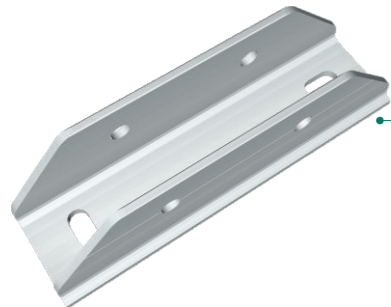
#### FX-SP-115 Splice for Rail 115

Splice L260/L500 for Rail 115  
Flange Head Self Tapping Screw ST6.3\*19



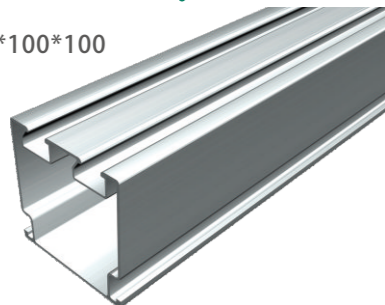
#### FX-CP-AP Anchor Plate

Anchor Plate for Carport  
Hexagon Socket Head Bolt M20\*130



#### Side Beam

Specification: L\*100\*100



#### FX-CP-T Square Tube

Square Tube A  
Square Tube B  
Square Tube C  
Square Tube D  
Specification:  
L\*80\*80



## FXSOLAR Carport System

### Installation Guide



1. Fasten the carport anchor plates onto embedded bolts



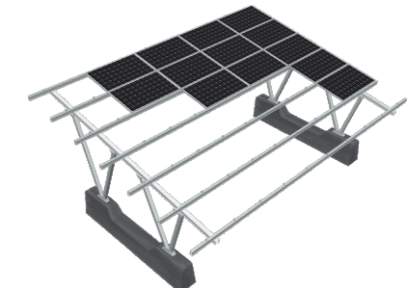
2. Install the posts and the side beam



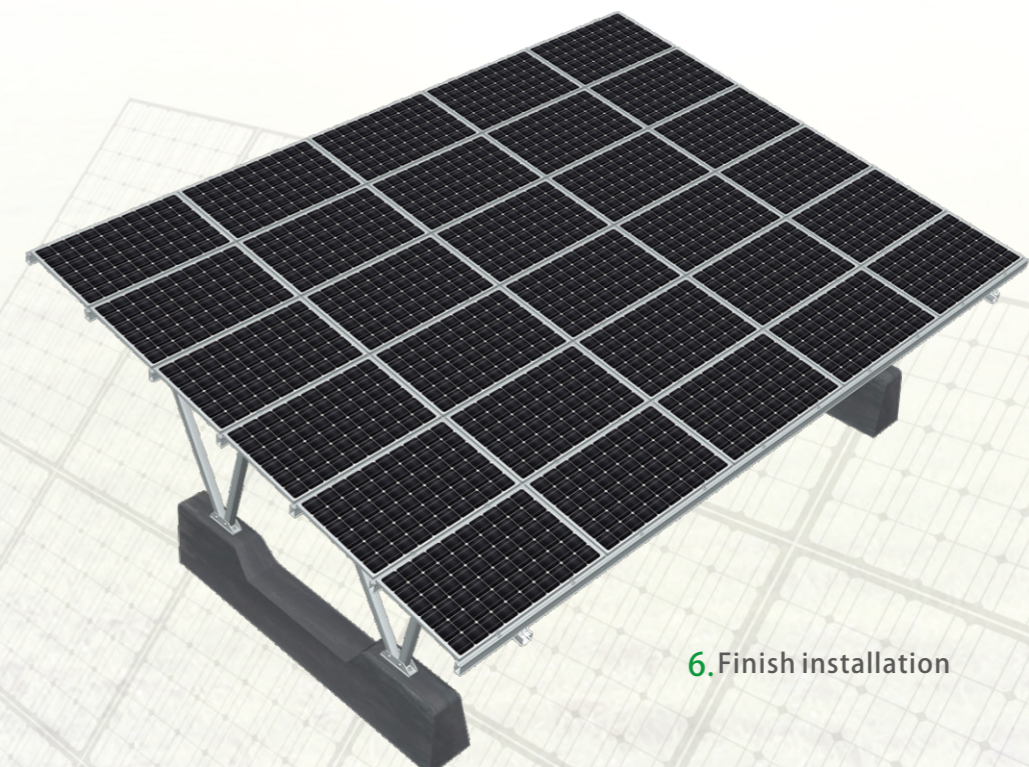
3. Install other posts and side beams



4. Install rails on side beams



5. Install modules on rails



6. Finish installation